

5415634-1 ✓ ACTIVE

TE Internal #: 5415634-1

RF Connectors, BNC RF Interface, Jack, 75 Ω, Bayonet, 2 GHz

Operating Frequency, Cable-to-Board, 1 Position, Printed Circuit Board, Panel Mount

[View on TE.com >](#)



Connectors > RF Coax Connectors > RF Connectors > BNC RF Connector: 75 Ohm



RF Interface: **BNC**

RF Connector Style: **Jack**

RF Connector Mated Outer Diameter (Approximate): **14.53 mm [.572 in]**

Impedance: **75 Ω**

RF Connector Coupling Mechanism: **Bayonet**

[All BNC RF Connector: 75 Ohm \(6\)](#)

Features

Product Type Features

RF Interface	BNC
RF Connector Style	Jack
Connector System	Cable-to-Board
Sealable	No
Connector & Contact Terminates To	Printed Circuit Board

Configuration Features

PCB Mount Orientation	Right Angle
Number of Positions	1
Number of Coaxial Contacts	1

Electrical Characteristics

Impedance	75 Ω
-----------	------

Body Features

Body Material	Polyester, PBT
Body Material Finish	Plated
Body Plating Material	Nickel

Contact Features

RF Connector Center Contact Underplating Material	Nickel
---	--------



30 μin

RF Connector Center Contact Plating Material

Gold

RF Connector Center Contact Material

Phosphor Bronze

Termination Features

Termination Post & Tail Length

4.11 mm[.162 in]

Termination Method to Printed Circuit Board

Through Hole - Solder

Mechanical Attachment

Panel Attachment Style

Rear Mount

PCB Mount Retention

With

Panel Mount Feature Type

Lockwasher and Nut

RF Connector Coupling Mechanism

Bayonet

Connector Mounting Type

Panel Mount

Detent

With

Housing Features

Housing Color

Black

Dimensions

Mounting Post Length

3.48 mm[.137 in]

Profile Height from PCB

13.18 mm[.519 in]

RF Connector Mated Outer Diameter (Approximate)

14.53 mm[.572 in]

Usage Conditions

Insulation Option

Uninsulated

Operating Temperature Range

-55 – 85 °C[-67 – 185 °F]

Operation/Application

Operating Frequency

2 GHz

Packaging Features

Packaging Method

Tube

Other

RF Connector Comment

If an Insulating Bushing is required, see Part Number 330620.

Additional Features

Hardware Included

Grade

Economy

Dielectric Material

Polymethylpentene



Product Compliance

[For compliance documentation, visit the product page on TE.com>](#)

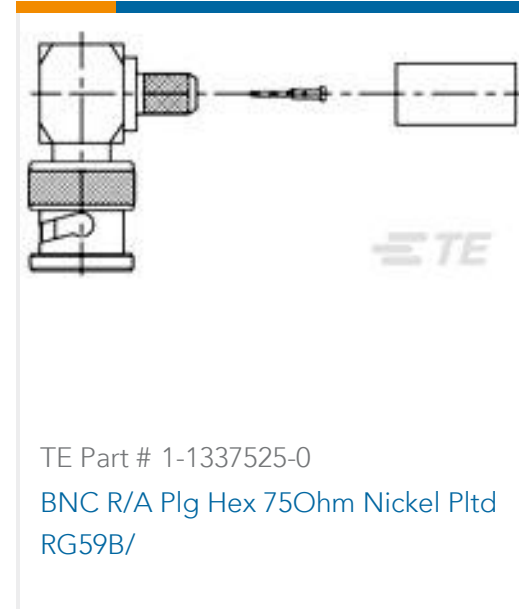
EU RoHS Directive 2011/65/EU	Compliant with Exemptions
EU ELV Directive 2000/53/EC	Compliant with Exemptions
China RoHS 2 Directive MIIT Order No 32, 2016	Restricted Materials Above Threshold
EU REACH Regulation (EC) No. 1907/2006	Current ECHA Candidate List: JUNE 2022 (224) Candidate List Declared Against: JUNE 2022 (224) SVHC > Threshold: Pb (3.7% in Component Part) Article Safe Usage Statements: Do not eat, drink or smoke when using this product. Wash thoroughly after handling. Recycle if possible and dispose of the article by following all applicable governmental regulations relevant to your geographic location.
Halogen Content	Not Low Halogen - contains Br or Cl > 900 ppm.
Solder Process Capability	Wave solder capable to 265°C

Product Compliance Disclaimer

This information is provided based on reasonable inquiry of our suppliers and represents our current actual knowledge based on the information they provided. This information is subject to change. The part numbers that TE has identified as EU RoHS compliant have a maximum concentration of 0.1% by weight in homogenous materials for lead, hexavalent chromium, mercury, PBB, PBDE, DBP, BBP, DEHP, DIBP, and 0.01% for cadmium, or qualify for an exemption to these limits as defined in the Annexes of Directive 2011/65/EU (RoHS2). Finished electrical and electronic equipment products will be CE marked as required by Directive 2011/65/EU. Components may not be CE marked. Additionally, the part numbers that TE has identified as EU ELV compliant have a maximum concentration of 0.1% by weight in homogenous materials for lead, hexavalent chromium, and mercury, and 0.01% for cadmium, or qualify for an exemption to these limits as defined in the Annexes of Directive 2000/53/EC (ELV). Regarding the REACH Regulation, the information TE provides on SVHC in articles for this part number is based on the latest European Chemicals Agency (ECHA) 'Guidance on requirements for substances in articles' posted at this URL: <https://echa.europa.eu/guidance-documents/guidance-on-reach>

Compatible Parts

 <p>TE Part # 1-1337481-0 SMB R/A PCB Skt 50Ohm Gold Plt</p>	 <p>TE Part # 1-1337414-0 N Str Jk Hex 50Ohm Silver Pltd PSF 1 /4M,</p>	 <p>TE Part # 1-1337420-0 BNC Str Plg MC 50Ohm Nickel Pltd RG58C/U</p>	 <p>TE Part # 1-1478075-0 BNC R/A Plg Hex 50Ohm Silver Pltd RG58C/</p>
---	--	---	---



Documents

Product Drawings

[RTANG BNC PCB JACK - LOW PRO](#)

English

CAD Files

[3D PDF](#)

English

Customer View Model

[ENG_CVM_5415634-1_A.2d_dxf.zip](#)

English

Customer View Model

[ENG_CVM_5415634-1_A.3d_igs.zip](#)

English

Customer View Model

[ENG_CVM_5415634-1_A.3d_stp.zip](#)

English

By downloading the CAD file I accept and agree to the [Terms and Conditions](#) of use.

Datasheets & Catalog Pages



BNC Connectors

English

Product Specifications

Product Specification

English

Product Environmental Compliance

MD_5415634-1_09032018238_dmtec

English

MD_5415634-1_09032018238_dmtec

English